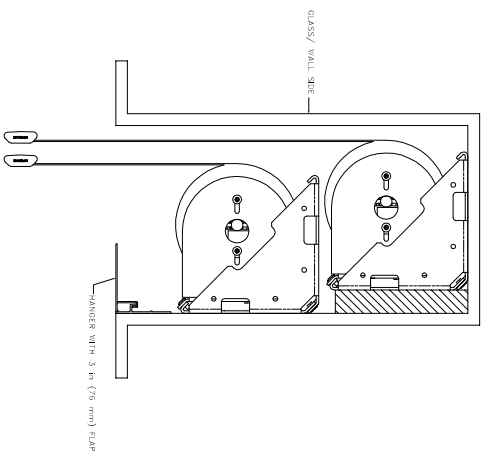
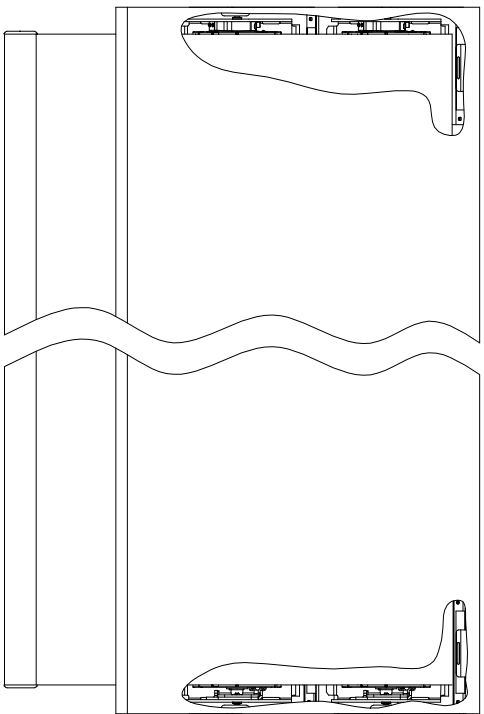
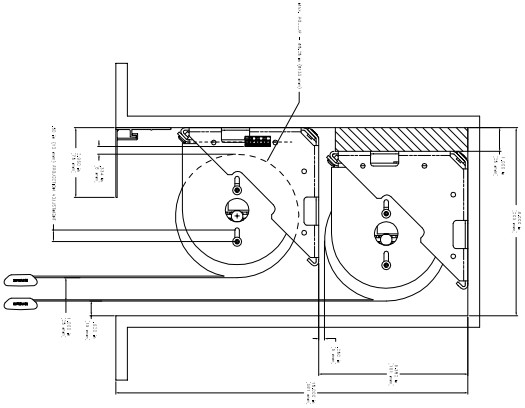
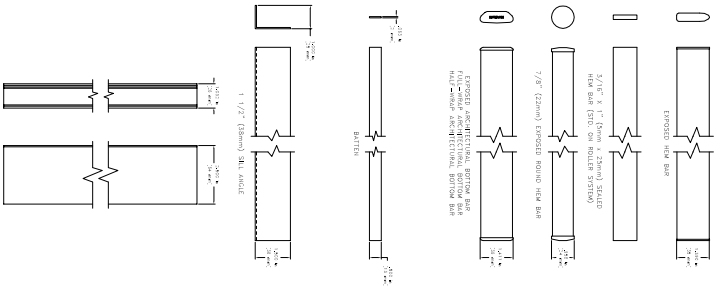


GENERAL DETAILS



UNITS
1. SQUARE FRAME OR 45.75 IN. (950 mm)