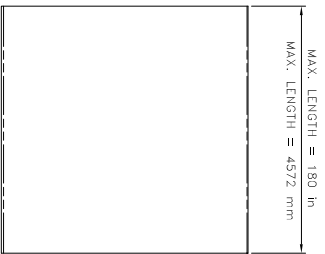
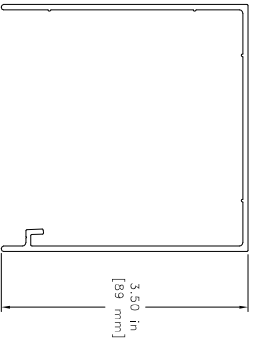
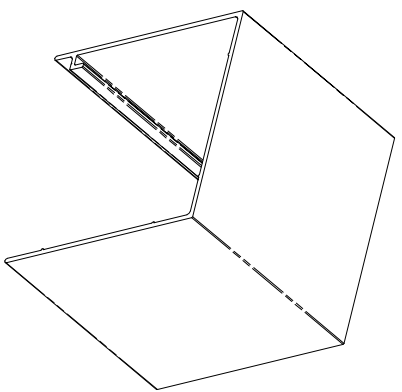
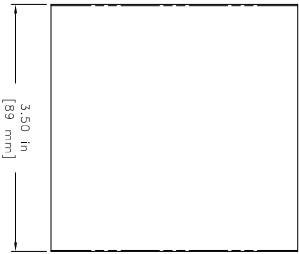
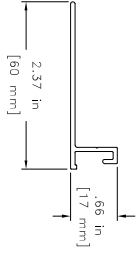


2 in (51 mm) FLAP  
(OPTIONAL)



NOTES:

- 1. AVAILABLE IN WHITE, BRONZE, AND CLEAR ANODIZED.