

# LUTRON®

## *For Your Information ...*



## Cable recommendations for wiring Sivoia QED and the SVQ-10-PNL

### Overview

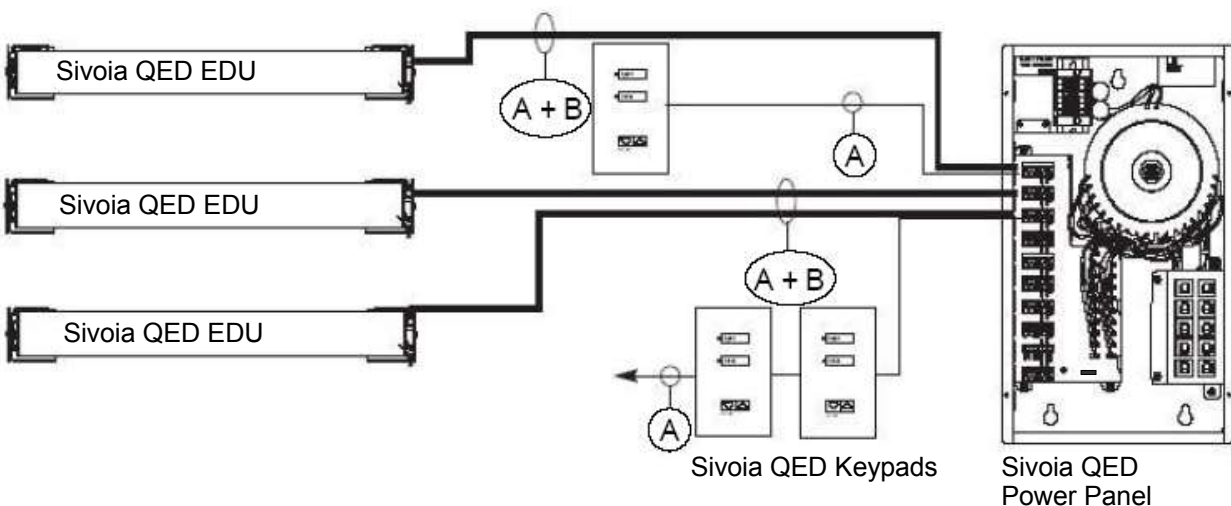
Lutron offers two cables that can be used to pre-wire for a Sivoia QED system. Lutron SVQ-CBL-250 combines power and communications, and Lutron GRX-CBL-346S-500 is communications cable. Several other wire manufacturers offer suitable wire for a Sivoia QED system. This document describes those specific wire types that can be used to make a successful Sivoia QED installation when using the SVQ-10-PNL.

### Wiring

Wiring is made easier for most installations by using Sivoia QED power panels (SVQ-10-PNL) to land wiring. Each power panel can power up to 10 Sivoia QED Electronic Drive Units (EDUs), and provides terminal blocks to land wiring from EDUs, keypads, and other Sivoia QED system components.

Wiring using Sivoia QED power panels involves pulling both communications (A) and Class 2 power (B) from each roller shade or drapery EDU back to the power panel, and pulling communications (A) from each keypad location back to the power panel.

For convenience, Lutron SVQ-CBL-250 combines the communications and power wiring which must be run from each EDU to the power panel.



## Recommended Sivoia QED Communications Cable

<b>(A) Communications Wiring</b> 4 conductors shielded: (2 cond. 18 AWG + 2 cond. 18-22 AWG)	<b>Maximum wire lengths</b>	
	Total communications	4000 feet
	Keypad to power panel	
	1 keypad	1000 feet
	2 keypads	500 feet
	3 keypads	300 feet
	4 keypads	200 feet
EDU to power panel	200 feet	

### Suggested cable part numbers for Sivoia QED communications wire

<b>Supplier</b>	<b>Model Number</b>
Lutron <a href="http://www.lutron.com">www.lutron.com</a>	GRX-CBL-346S-500 (non-plenum) GRX-PCBL346S-500 (plenum rated)
Belden <a href="http://www.belden.com">www.belden.com</a>	9418 (non-plenum) 89418 (plenum rated)
Liberty <a href="http://www.libertycable.com">www.libertycable.com</a>	LUTRON-YEL (non-plenum) 18-4C-PSH-WHT (plenum rated)

*NOTE: CAT 5 wire is not acceptable for use as Sivoia QED communications or power wire.*

## Recommended Class 2 Sivoia QED EDU Power Cable

<b>(B) Power Wiring</b> 3 conductor 16 or 18 AWG	<b>Maximum wire length</b>	
	16 AWG EDU to panel	200 feet
	18 AWG EDU to panel	150 feet

### Suggested cable part numbers for Class 2 Sivoia QED EDU power

<b>Supplier</b>	<b>Model Number</b>
Belden <a href="http://www.belden.com">www.belden.com</a>	5201UE (non-plenum – 16 AWG) 6201UE (plenum rated – 16 AWG)
Liberty <a href="http://www.libertycable.com">www.libertycable.com</a>	16-3C-GRY (non-plenum – 16 AWG) 18-3C-P-WHT (plenum rated – 18 AWG)

*NOTE: CAT 5 wire is not acceptable for use as Sivoia QED communications or power wire.*